

Wilkhahn

Sito. 240 range.





Sito.

The Sito range is a more sophisticated re-interpretation of the traditional steel tube cantilever chair. The design is based on bridge construction: the load-bearing component comprises a tubular structure that is supported by slender, flat steel braces. The braces absorb force, so the cross section of the tubular structure is smaller and the chair more flexible.

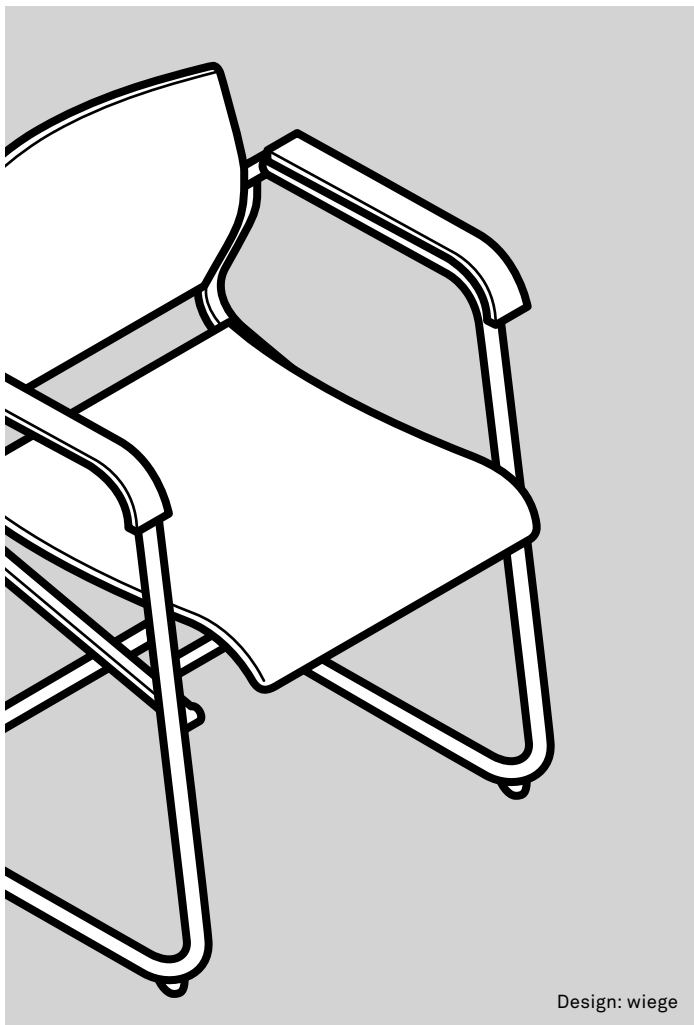
A multipurpose cantilever family was born that can stand alone or be combined with Wilkhahn office chair and table ranges. Sito is typical of the flexibility expected from cantilevers, spacious and comfortable to sit on and with its very own style. Different frame finishes, armrest pads, upholstery and covers allow plenty of scope for different design solutions.





Sito. 240 range. Technical details.

Wilkhahn



Design: wiege

Function

A multipurpose cantilever chair, optionally stackable, with three backrest heights and a range of upholstery options for a whole host of settings. It's springy and resilient due to the cantilever design of the seat and back.

Frame

Base frame made of round steel tubing, Ø 22 mm. Brace in 6 mm flat steel to support the cantilevered seat and backrest shells, bright chrome-plated, matt chrome plated or coated. The standard version for carpeted floors comes with anti-tilt stoppers; with additional glides for hard floors, with additional felt insert on request. The stackable versions are only available with a bright chrome plated frame. A black plastic writing tablet (models 240/3, 241/3) can be fitted to all models, which can then still be linked to form rows and stacked.

Seat and backrest

Models 240/3 and 241/3

Seat and back made of black-grey or white through-dyed viscoelastic polypropylene. Seat with covered, one-piece moulded replaceable polyurethane foam, optional back cushioning also with covered, polyurethane cut foam.

Model 241/51 with club grade upholstery

Seat and back made of moulded plywood with polyurethane one-piece moulded foam and wool fleece pad, covered on all sides with leather, leather-covered cushioning with embossed facings on the sides.

Model 244/55

Seat and back made of viscoelastic polypropylene, covered on the back. Replaceable seat cushioning with covered polyurethane one-piece moulded foam section, with additional cut foam section and padding. Replaceable back cushioning with covered polyether cut-foam section and padding.

Model 245/55

Seat made of viscoelastic polypropylene, covered on the back. Replaceable seat cushioning with covered polyurethane one-piece moulded foam section, with additional cut foam section and padding. Back made of moulded plywood. Back cushioning with covered polyether cut foam section and padding.

Models 247/55 and 248/55 with soft fill cushions

Seat and back made of moulded plywood. Seat with covered polyurethane one-piece moulded foam, backrest with covered polyurethane one-piece moulded foam, on the front with cut foam fleece concealed in the cover.

Armrests

Armrest pads made of black or white through-dyed polypropylene or laminated wood with face veneer in beech with a natural finish or stained 84/83 grey or 84/89 dark grey, or face veneer in maple with a natural finish. Upholstered armrests, when covered in fabric with black leather 74/99, when covered in leather to match the colour of the leather (models 240/51, 241/51 only covered in leather).

Standards

The Sito cantilever chairs comply with the DIN EN 16139-L1, DIN EN 1728 and ANSI/BIFMA X5.1 office chair standards.



www.tuv.com
ID 100000000

Sito. 240 range. Product types.

Wilkhahn



240/3 Low backrest
with seat cushioning, backrest not upholstered



240/3 Low backrest
with seat cushioning, backrest not upholstered



241/3 Medium-height backrest
with seat cushioning, backrest not upholstered



241/51 Medium-height backrest
Club upholstery, fully upholstered



244/55 Medium-height backrest
with seat and back cushioning, fully upholstered



245/55 Height backrest
with seat and back cushioning, fully upholstered



247/55 Medium-height backrest
soft fill cushioning, fully upholstered



248/55 Height backrest
soft fill cushioning, fully upholstered

Sito. 240 range. Frame types / upholstery types.

Wilkhahn

Frame surfaces



Bright chrome-plated tubular steel, matt chrome-plated, coated black or in a silver satin finish

Seat and backrest shell



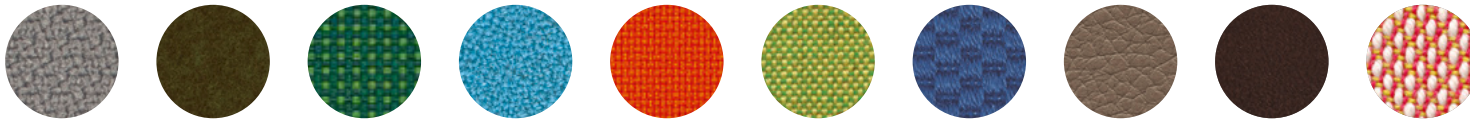
Black-grey or white

Armrest pads



Black or white plastic, wood (beech, maple), leather

Upholstery material (not all upholstery materials apply to all types)



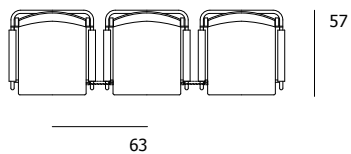
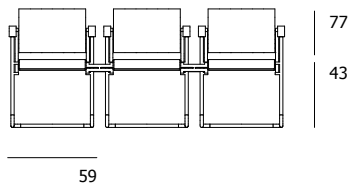
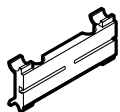
54 Pitch | 60 Blend | 62 Bond | 63 Auris | 66 Lona | 68 Kvadrat Remix 2 | 69 Granit | 74 Leather | 87 Leather | 91 Kvadrat Steelcut Trio 3 | You can find all upholstery material and more colours in our media center

The digital sample colours differ from the originals.
You can find our current fabric collection in our media center.

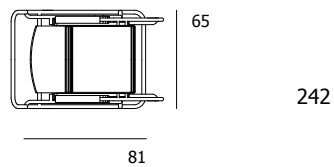
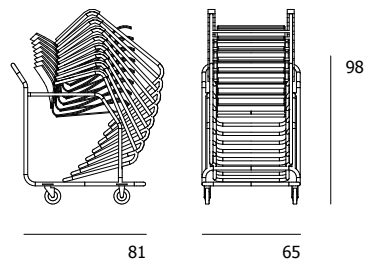
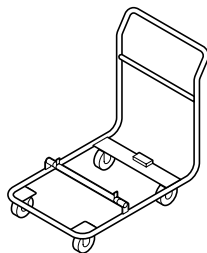
Sito. 240 range. Accessories and other items.

Wilkhahn

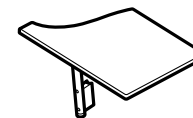
242 Inline connector



243 Four-wheeled trolley



240 Writing tablet



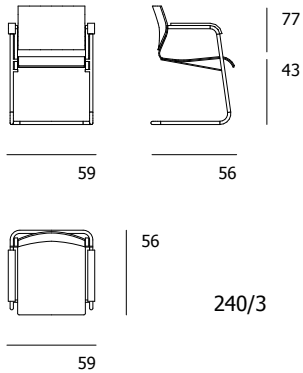
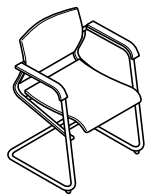
310 Seat numbers



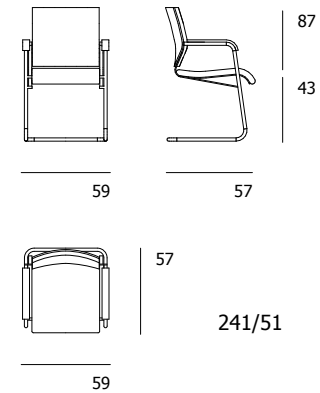
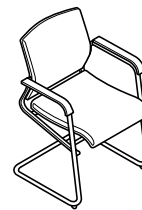
Sito. 240 range. Models and dimensions.

Wilkhahn

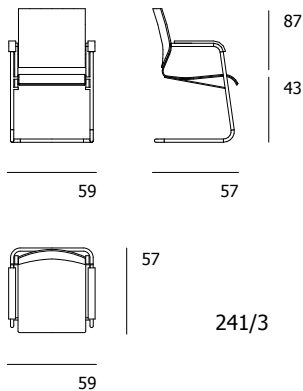
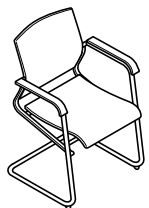
240/3
Cantilever chair



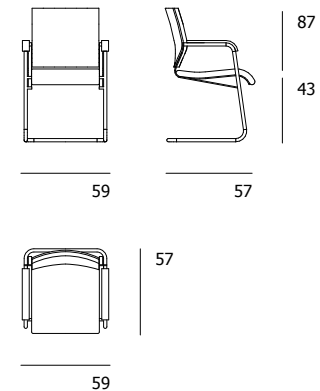
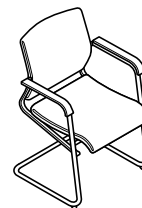
241/51
Cantilever chair



241/3
Cantilever chair



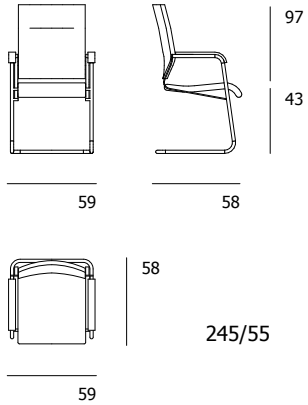
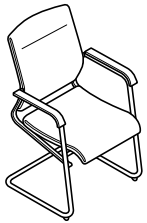
244/55
Cantilever chair



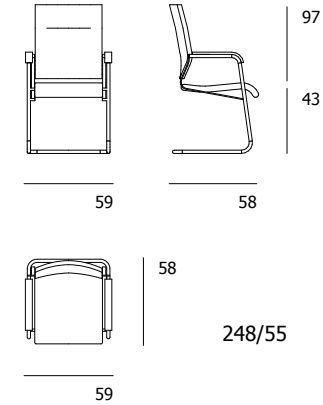
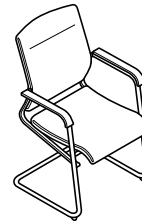
Sito. 240 range. Models and dimensions.

Wilkhahn

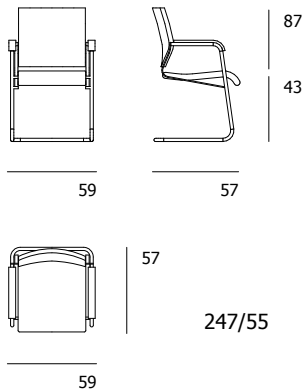
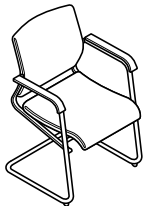
245/55
Cantilever chair



248/55
Cantilever chair



247/55
Cantilever chair



Sito. 240 range. Awards/standards/certificates.

Wilkhahn

Product certificates/product standards



DIN EN 16139-L1 DIN EN 1728 ANSI/BIFMA X5.1

Company's certificates, memberships



Environment and product

Replaceable, reduced-to-the-max, pure materials

Reducing the thicknesses and range of materials involved is important from both an aesthetic and ecological standpoint. Consistently developed along Wilkhahn's environmentally friendly design concept, Sito comes in hard-wearing top quality and the seat- and optional back-cushioning is replaceable.

- The frame comprises high-performance steel tube with braces in low-profile steel that is 100% recyclable. The seat and backrest shells come in through-dyed, hard-wearing polypropylene, optionally also in moulded wood and the cushioning consists of CFC-free covered polyurethane foam.
- The armrests are in through-dyed polypropylene or optionally in laminated wood.
- All components are connected mechanically and therefore maintenance-friendly as they can be exchanged.

Timeless design, a high degree of seated comfort, high-quality materials and exchangeable cushioning allow virtually limitless utilisation.

You can find our environmental product information in our media center.