

Wilkhahn

Metrik. 186 range.





Metrik.

The Metrik cantilever chair stands apart for its sculptural shape. The different thicknesses of materials, polygonal areas and rounded edges are reminiscent of modern transportation design. It has taken until today to make such a complex structure from one piece of material. The seat and the tubular frame are the same colour to lend greater emphasis to the integrated design. The spacious shape of the inside of the chair with its integrated seat cushion offers ergonomic comfort which can be further enhanced by extra cushioning at the back. The distinct design and the range of colourways mean that Metrik can be seamlessly incorporated into a diverse range of design worlds and with a chrome-plated frame it's also stackable.



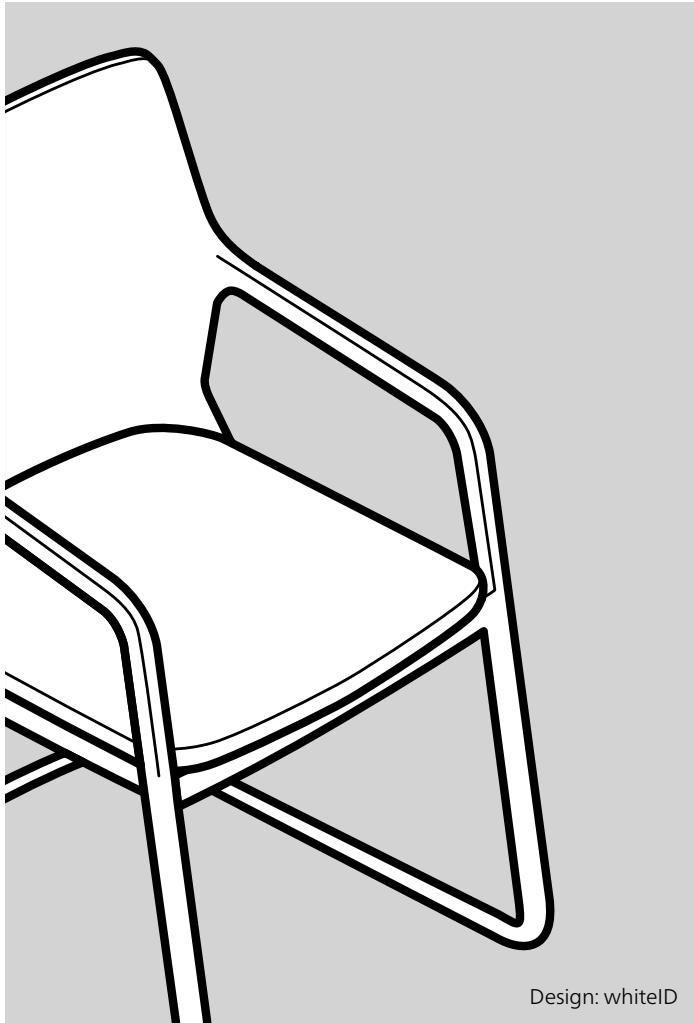






Metrik. 186 range. Technical details.

Wilkhahn



Design: whitelD

Function

The Metrik cantilever chair stands apart for its consistently integrated design approach. The way the components are integrated plays with contrasts such as distinctiveness and neutrality, comfort and an understated appeal, as well as modernity and timeless design. As a result, Metrik can be combined with a variety of table concepts and office chairs. Six colours for the body and frame, combined with a wide variety of covers and colours, offer highly scalable design options. To suit preferences, Metrik either complements the overall design concept or purposely adds a splash of colour.

Chairs

Frame

Tubular steel frame optionally in a textured matt finish, coated in white, black, grey-beige, orange-red, blue-grey, bright chrome-plated or black chrome-plated, with black polyamide anti-tilt stopper as the standard version for carpets, optionally with multipurpose glides for hard flooring (e.g. stone), please order with extra felt glides for wooden flooring (e.g. parquet). Stacking buffer made of plastic to match the shells and colour of the frame.

Please note

Coated frame versions are not stackable.

Seat and backrest

Unitary seat and backrest shell with integrated armrests made of through-dyed, glass fibre-reinforced polyamide the same as the base frame, optionally with a textured matt finish coated in white, black, grey, grey-beige, orange-red or blue-grey. Replaceable seat cushion, consists of seat upholstery panel and covered polyurethane one-piece moulded foam. Type with optional, replaceable back cushioning the same as the seat cushion.

Weight 8.6 kg

Accessories

Inline connectors (2 in each set) made of black plastic.

Standards

Based on the DIN EN 16139-L1 office chair standard, up to 3 chairs can be stacked vertically. The Metrik cantilever chairs comply with the DIN EN 16139-L1 and ANSI/BIFMA X 5.1 office chair standard.



www.tuv.com
ID 1000000000

Please note

When exposed to ultra violet rays for long periods of time, the colours of plastics can change slightly.

Metrik. 186 range. Frame types.

Wilkhahn



Frame surfaces



Bright chrome-plated tubular steel, black chrome-plated, coated black, grey, grey-beige, orange-red, blue-grey or white with a textured matt finish

Seat and backrest shell



Black, grey, grey-beige, orange-red, blue-grey or white

Metrik. 186 range. Product types / upholstery types.

Wilkhahn

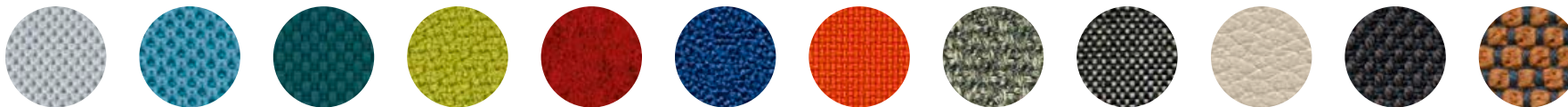


186/3 Cantilever chair with seat cushion



186/3 Cantilever chair with seat and back cushion

Upholstery material



37 | 41 | 47 | 54 | 60 | 63 | 66 | 67 | 68 | 74 | 91 | 92

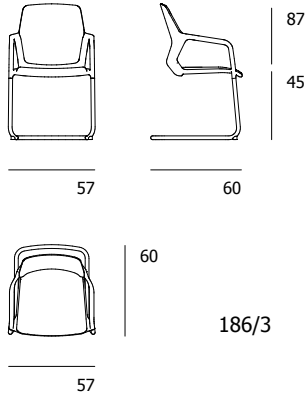
You can find all upholstery materials and more colours in our media center

The digital sample colours differ from the originals.

Metrik. 186 range. Models and dimensions.

Wilkhahn

186/3
Cantilever chair



Metrik. 186 range. Accessories and other items.

Wilkhahn

186 Four-wheeled trolley for 8 cantilevers



187 Inline connector
2 for bright chrome-plated frame



Metrik. 186 range. Awards / standards / certificates.

Wilkhahn

Awards



Product certificates / product standards



DIN EN 16139-L1 ANSI / BIFMA X 5.1

Company's certificates, memberships



Mitglied der DGNB Deutsche Gesellschaft für Nachhaltiges Bauen German Sustainable Building Council

