

# Wilkhahn

FS-Line. 21 range.





## FS-Line.

Timeless form.  
Durable quality.  
Easy handling.

The FS-Line task chair is a classic in the world of office chairs. The epitome of dynamic seating for over 30 years, its ease of use is its key to success. Over two million chairs sold worldwide are testimony to the ingenuity and modern appeal of the FS concept.

Three swivel axes are designed to allow the seat, backrest and armrests to follow any movement and change in posture. The combination of flexible swing plates and extremely elastic shell provides support and options for adjustment in any posture. The mechanism is infinitely adjustable, fully automatic and includes sideways torsion elasticity in the backrest.

The FS-Line is designed as a broad product family for equipping all areas in a company. As a result, furnishings are coherent and enhance corporate identity.

The modular structure of the shell and frame makes repair and maintenance simple. Each chair can be upgraded with little effort. The FS-Line is the perfect example for a benchmark in sustainable product design. The durability of the high quality materials, the innovative seating concept and the classical, understated design guarantee the chair will last decades.



## FS Management.

### Classical. Modern. Enduring.

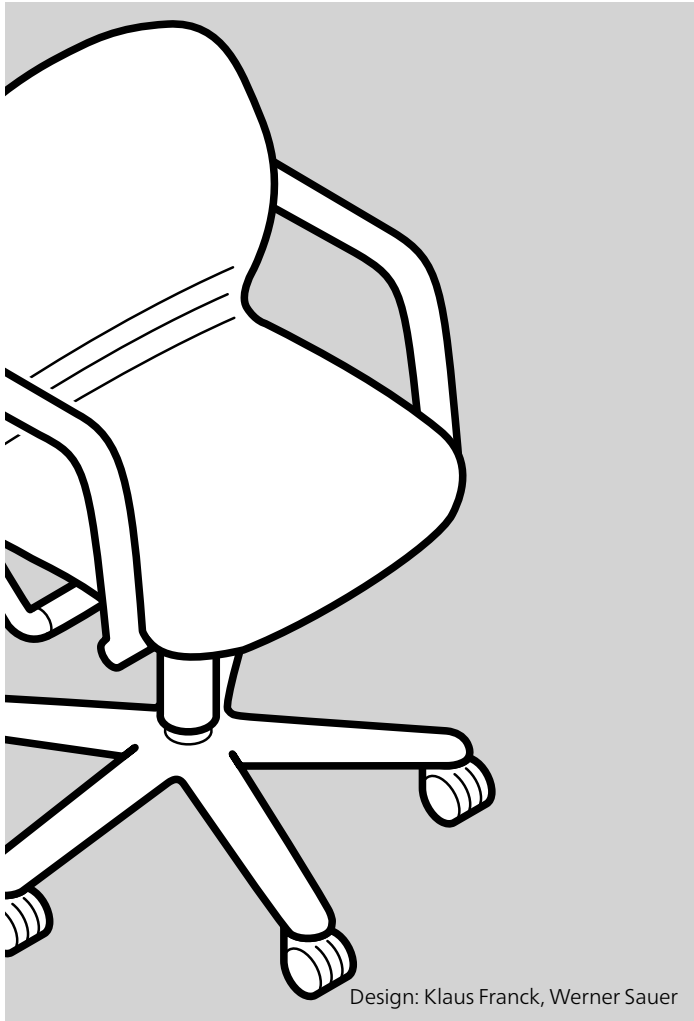
The FS-Line was launched back in 1980. And its highly flexible, unitary seat- and backrest shell are still considered a global milestone in dynamic seating. With the elegant curve of the swivel arms, the appealingly spacious seat, slim contours and compact mechanics, the design also wrote history. A more attractive ergonomic office chair, so lacking in complexity, is difficult to imagine. Well-known publishing house "form" devoted a whole issue of its "Design Classics" series to the FS-Line. So it's not surprising that the FS-Line's Executive models have been popular with decision-makers in the worlds of politics and business for decades.

The traditional shape has been carefully honed for the new FS Management models. Eight centimetres have been added to the backrest height and the thickness of the upholstery is reduced too. The new upholstery technique with elastic, upholstered steel frame and extra padding offers superlative comfort. And finally, the covers are stitched, lending the chairs a contemporary, casual look.



# FS-Line. 21 range. Technical details.

# Wilkhahn



## Function

Task chairs with synchro-adjustment: the seat and backrest tilt adapt automatically to any posture the user adopts. When leaning back, the backrest tension increases proportionately. The person using the chair can adjust the tension precisely. The front position is lockable by engaging the lever. DIN 4550 compliant gas lift for precision adjustable seating height.

Conference / visitor chairs with automatic synchro-adjustment, but without front locking position, without any option to precision-adjust the height.

## Frame

### Task chairs

Die-cast aluminium star base, bright chrome-plated, polished or coated. Twin wheel swivel castors with load-dependent braking, made of black polyamide compliant with DIN EN 12529 as the standard version for carpets; with grey soft polyurethane tyre for hard floors. Castors optionally electrically conductive. Black polyamide glides as the standard version for carpets and in black polyurethane for hard floorings.

Swivel arms in die-cast aluminium, bright chrome-plated or coated in the same colour depending on star base (coated black with polished star-base).

## 211/1 counter stool

With FS-star base on glides.

## 211/11 counter stool

Star base from the ON 170 range, with additional height-adjustable, bright chrome-plated foot ring, with lock screw to affix it and twin wheel swivel castors with load-dependent braking.

## Cantilever chair:

Frame for model 212/5 in round steel tubing, bright chrome-plated or coated; stackable version with bright chrome plated frame only. Frame for model 220 in oval aluminium tubing, bright chrome-plated or coated. Cantilever chair model 212 with anti-tilt stoppers as the standard version for carpeted floors, with additional glides for hard floors, on request with felt insert.

## Seat and backrest

### Models 211/1 to 213/8

Seat and backrest shell in viscoelastic, through-dyed polypropylene with a flexible middle section in the following colours 91 natural white, 92 platinum, 97 asphalt, 99 black. Standard armrests in the same material, black.

Backrest of task chairs 211 and 213 optionally with integral, adjustable lumbar support. Upholstery: one-piece moulded foam covered, replaceable.

### Models 220/6 to 220/9

Tubular steel frame with flexible middle section, over which an elastic mesh is stretched and the whole is moulded in foam. Integral foam armrests, leather-covered, with fabric covers in black, covered in leather according to the colour of the leather. Replaceable cover with stitched fluting, or replaceable cover with integrated flat cushion.

## Standards

FS task chairs are compliant with the DIN EN 1335, DIN EN 16139-L1, the ANSI / BIFMA X 5.1 and other international office chair standards. Depending on the version, they also fulfil the requirements of categories B or C of the DIN EN 1335 office chair standard. FS cantilever chairs comply with DIN 68878-1.



The FS task chairs comply with the "Ergonomics Approved" standard.



# FS Management. 21 range. Technical details.

## Wilkhahn



Design: Klaus Franck, Werner Sauer

### Function

Task chair with automatic synchro-adjustment: The seat and backrest tilt adapt automatically to any posture the user adopts. When leaning back, the backrest tension increases proportionately. The person using the chair can adjust the tension precisely. The front position is lockable by engaging the lever. DIN 4550 compliant gas lift for precision adjustable seating height.

### Frame

Die-cast aluminium, bright chrome-plated star base. Twin wheel swivel castors with load-dependent braking, made of black polyamide compliant with DIN EN 12529 as the standard version for carpets; with grey soft polyurethane tyre for hard floors. Castors optionally electrically conductive. Black polyamide glides as the standard version for carpets and in black polyurethane for hard floorings. Die-cast aluminium, bright chrome-plated swivel arms.

### Seat and backrest

Tubular steel frame with a flexible middle section, covered with elastic mesh. Foam upholstery with additional cushioning. Replaceable cover with wider stitched fluting. Integral foam armrests, leather-covered with stitched seam.

### Standards

The FS task chairs comply with DIN EN 1335, ANSI/BIFMA X 5.1 and other international office chair standards. Depending on the version, they also fulfil the requirements of categories B or C of the DIN EN 1335 office chair standard.



# FS-Line / FS Management. 21 range. Product types.

# Wilkhahn



211/8 Task chair  
Standard height backrest



213/8 Task chair  
High backrest



212/5 Cantilever chair  
Standard height backrest



220/8 Task chair  
Medium-height backrest



220/9 Task chair  
High backrest



220/92 Task chair  
High backrest  
with wider stitched fluting

Not pictured

211/11 and 211/1 Counter chairs  
Standard height backrest

211/6 Conference chair  
Standard height backrest

220/6 Visitor chair  
Medium-height backrest

220/7 Visitor chair  
High backrest

212/5 Cantilever chair  
Standard height backrest

220/82 Task chair  
Medium-height backrest  
with wider stitched fluting

# FS-Line. 21 range. Product types.

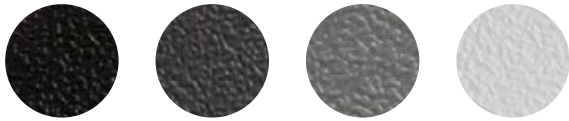
# Wilkhahn

## Frame surfaces, star bases and swivel arms



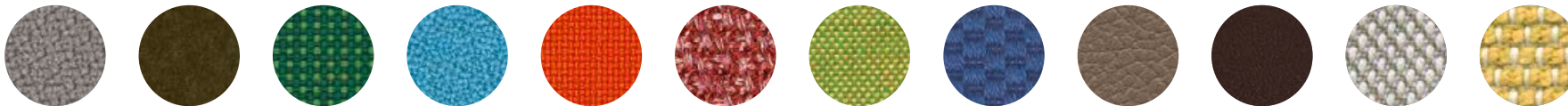
Bright chrome-plated or polished aluminium, coated in black or in a silver, satin finish

## Seat and backrest shell



Black, asphalt, platinum or natural white

## Upholstery material (not all upholstery materials apply to all types)



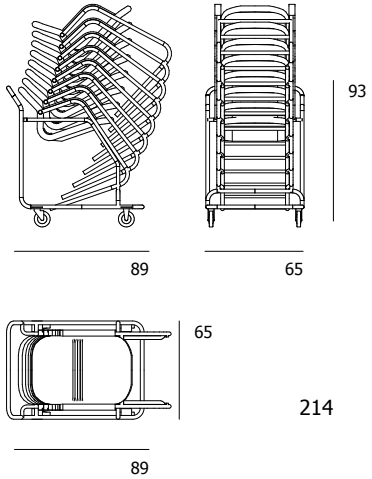
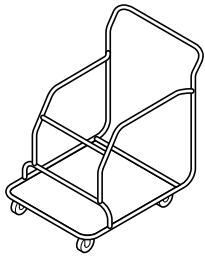
54 | 60 | 62 | 63 | 66 | 67 | 68 | 69 | 74 | 87 | 91 | 92 | You can find all upholstery material and more colours in our media center

The digital sample colours differ from the originals.  
You can find our current fabric collection in our media center.

# FS-Line. 21 range. Accessories and other items.

# Wilkhahn

**214** Four-wheeled trolley for 8 stackable cantilever chairs



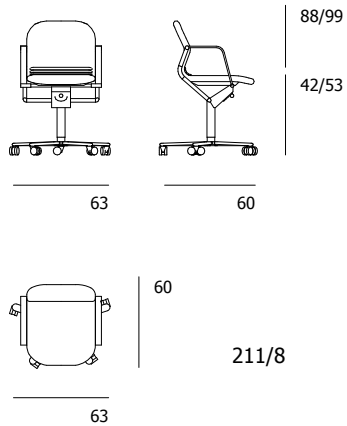
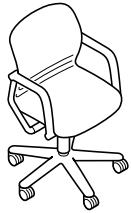
Further accessories not pictured:  
· Height-adjustable lumbar support  
· Anti-static castors



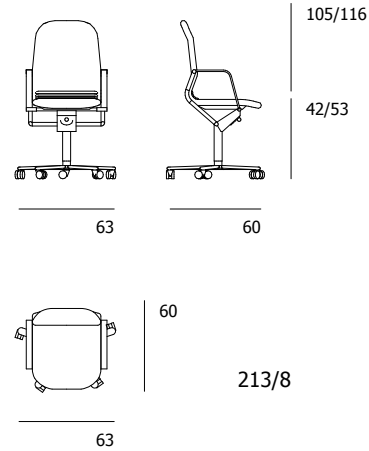
# FS-Line. 21 range. Models and dimensions.

# Wilkhahn

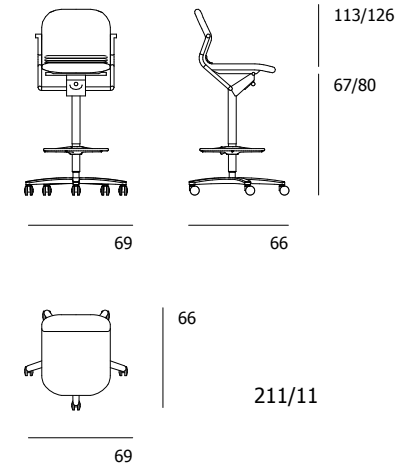
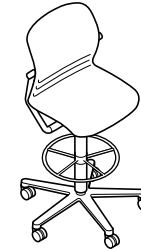
**211/8**  
Task chair



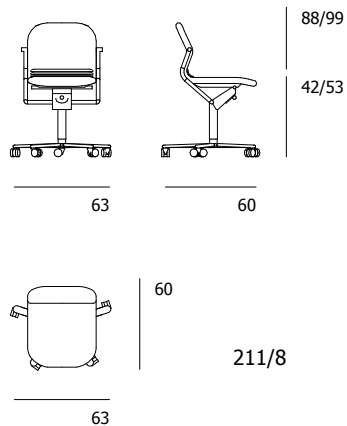
**213/8**  
Task chair



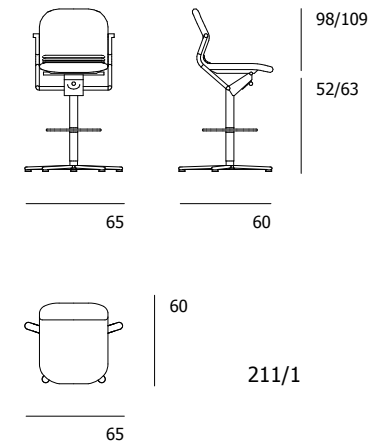
**211/11**  
Counter chair



**211/8**  
without armrests



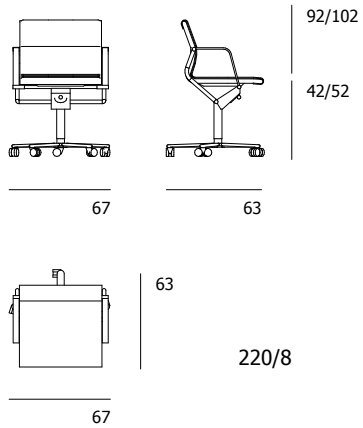
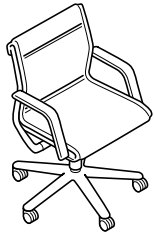
**211/1**  
Counter chair



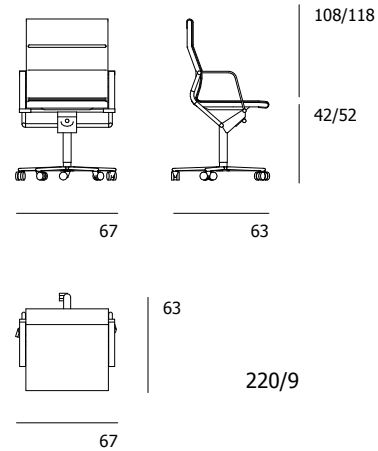
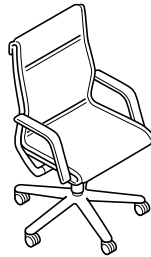
# FS-Line. 21 range. Models and dimensions.

# Wilkhahn

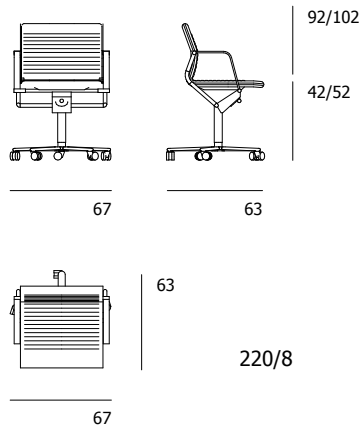
**220/8**  
Task chair



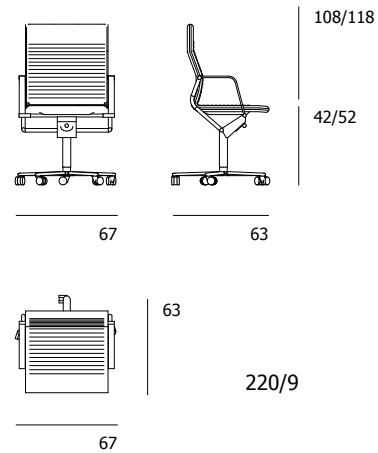
**220/9**  
Task chair



**220/8**  
with stiched fluting



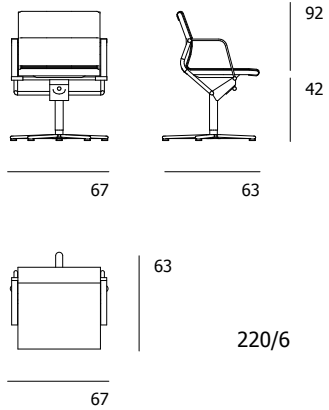
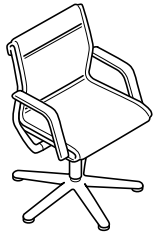
**220/9**  
with stiched fluting



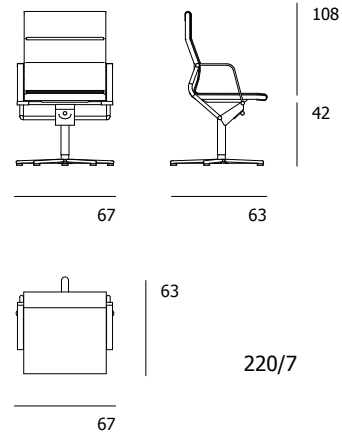
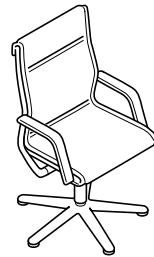
# FS-Line. 21 range. Models and dimensions.

# Wilkhahn

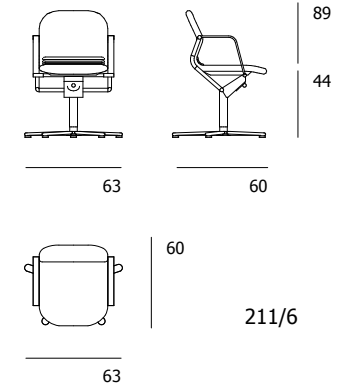
**220/6**  
Conference/  
visitor chairs



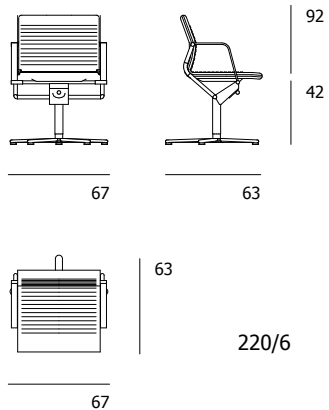
**220/7**  
Conference/  
visitor chairs



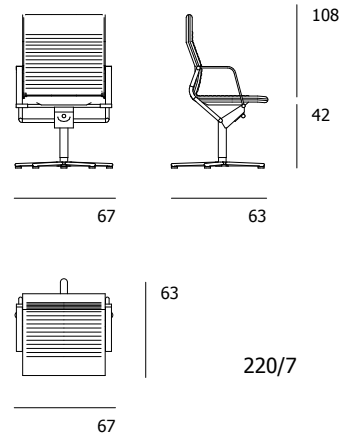
**211/6**  
Conference/  
visitor chairs



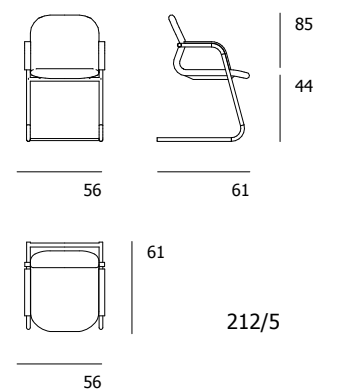
**220/6**  
with stiched fluting



**220/7**  
with stiched fluting



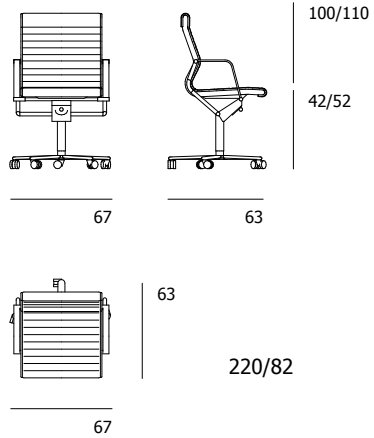
**212/5**  
Cantilever chair



# FS Management. 21 range. Models and dimensions.

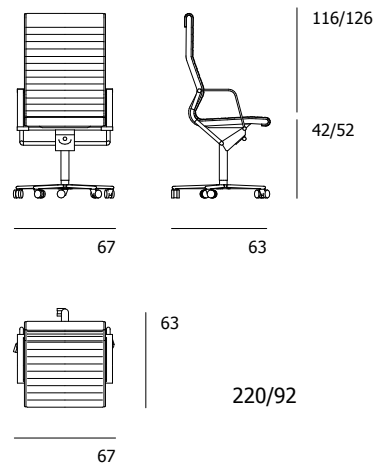
# Wilkhahn

**220/82**  
Task chair



220/82

**220/92**  
Task chair

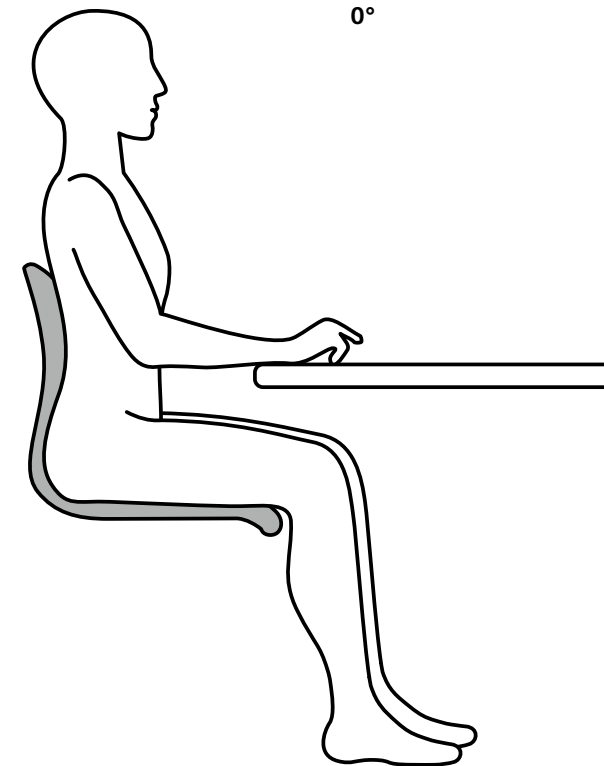
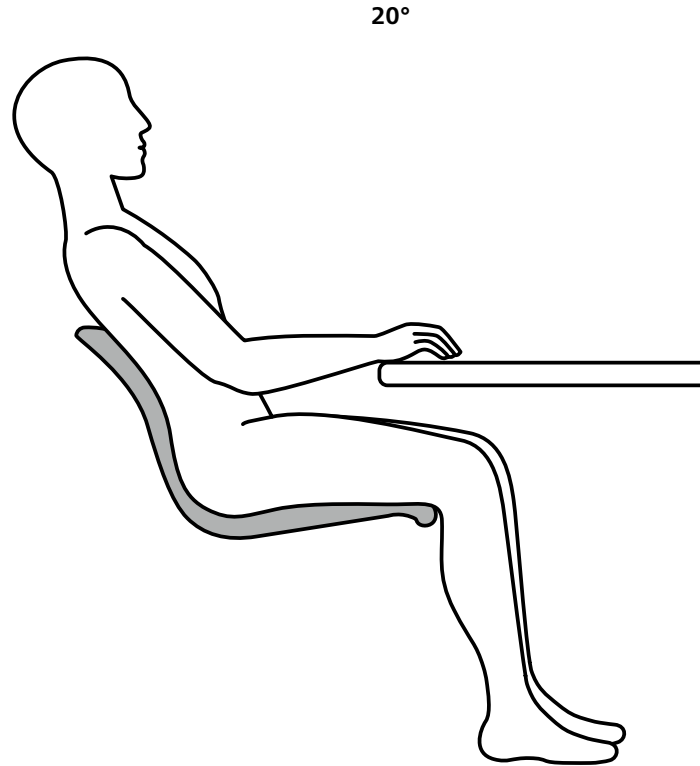


220/92

# FS-Line. 21 range. Models and dimensions.

Wilkhahn

Your new task chair is from Wilkhahn's FS-Line. Similarly to all Wilkhahn task chairs, the FS-Line task chairs are fitted with automatic synchro-adjustment mechanisms to allow dynamic sitting. This is hugely beneficial ergonomically: whether you're leaning forward to type on your keyboard, or back to make a call, the seat and backrest automatically adjust themselves (without requiring you to operate any levers or turn any knobs) to the posture you choose. When sitting at your desk for hours on end there's nothing more unhealthy than being forced to adopt static postures.

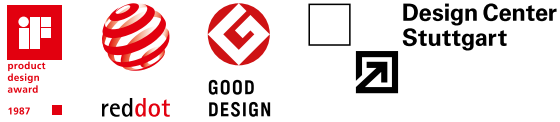




# FS-Line. 21 range. Awards / standards / certificates.

# Wilkhahn

## Awards



## Product certificates / product standards



DIN EN 16139-L1 ANSI/BIFMA X5.1

Not all certificates / standards apply to all types.

## Company's certificates, memberships



## Environment and product

### Re-use has priority over recycling

The ingeniously simple concept combines minimum mechanical functions and material input with maximum ergonomically important flexibility. What is more: the constructional principle guarantees that these office chairs can be used virtually limitlessly.

- The high-quality, technical components, such as the frame and the mechanism in die-cast aluminium and steel are marked by high resistance to wear and are repair-friendly. Almost 100 per cent of components can be returned to the material cycle.
- The covered, CFC-free foamed upholstery in polyurethane and the seat shells in through-dyed polypropylene (also 100 % recyclable) may be easily exchanged after years of intensive use, fitted with modern upholstery materials in new colours and, if necessary, adapted to fulfil new standards.