

Wilkhahn

Concentra/Conversa. 544/600 range.





Design: wiege

Concentra/Conversa.

Quality and versatility: simply excellent.

Flexible offices are all about understated tables that allow you to work, hold meetings around, study at, have meals or spread out party fare on ... Large and small, compact or long versions are required, or in other words all-rounders. Table ranges Concentra and Conversa have been developed to respond to these demands. With its round table legs and curved corners, one is more appropriate for less formal design concepts. And with its square table legs and narrow edges, the other is better suited to more professional backdrops.

A modular system of corner angles, under frames, capitals and table legs lies at the heart of the design of the two ranges. The under-frame is set back and the table-leg capitals are positioned lower, creating a space that suggests the table tops are floating on air. Fine lines separate the different elements of the frame and are form- and force-fitted with just one screw per connection. As a result, the highly precise and very stable structure becomes a design element. The stylish profiles are achieved by applying top-class materials. Underframes and table legs consist of very strong steel tube and the connecting elements are made of die-cast zinc. Therefore, table formats of 75x75 to 200x100, or also the particularly versatile format of 160x160 centimetres, are possible. The result is a good-value desk for two, a table for a project group, or part of a conference system.

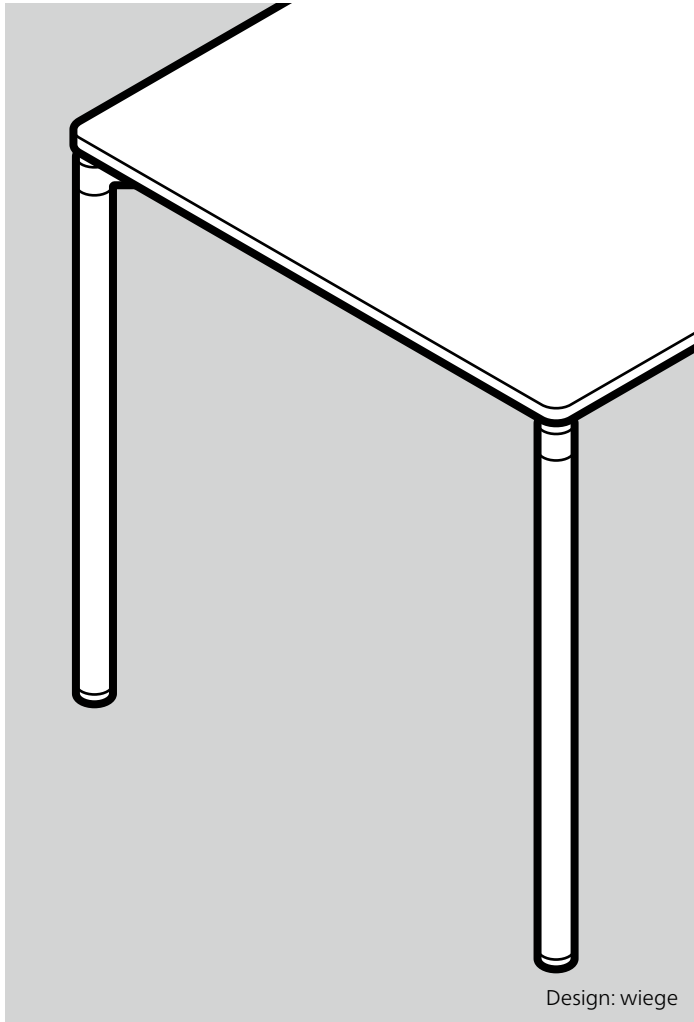
Coated or bright chrome-plated frame surfaces, directly coated, laminated, or veneered wooden panels offer a wide range of design options. The tables might be used in offices for one, project or recreational rooms, for seminars and meetings, or even in prestigious conference facilities or executive offices.





Concentra. 544 range. Technical details.

Wilkhahn



Function

Tables that allow versatile furnishing of offices and communication spaces, as a combination or on their own for project work, training, seminars, lounges, bistros, canteens or recreational areas.

Frame

Legs made of round steel tubing, 40mm in diameter, bright chrome-plated or coated black, signal white or with a silver satin finish. Multi-purpose, polyamide glides in black for soft and hard floorings. Die-cast zinc table-leg mounts to match the table legs, optionally bright chrome-plated or coated. Underframe attached with screws and with underframe profiles made of tubular steel (35 x 5 mm) and black-coated corner angles made of die-cast zinc.

Core material of table top

E1 plywood

Table top group 1 – laminate

Table top thickness 19 mm Laminate based on the Wilkhahn colour and surface finish samples with plastic polypropylene lipping.

Table top group 2 – veneer

Table top thickness 19 mm Variant 1: beech, oak and ash veneer based on Wilkhahn woodstain colour samples with wood lipping, colour matched as far as possible with the veneer. Variant 2: maple, walnut or elm veneer, as well as Wilkhahn Mocca veneer with wood lipping, colour matched as far as possible with the veneer. Closed-pore: maple and beech veneer. Some specific growth features possible.

Table top group 5 – direct coating:

Table top thickness 19 mm melamine resin, directly coated in white or light grey with plastic lipping in the same colour as the surface made of ABS.

Modesty panels

Aluminium frame, coated black and covered with black fabric.

Table-table-connectors (optional)

2 sheet steel circlips, coated black, 4 star-grip screws.

Accessories

Cable outlet

Aluminium cable outlet Diameter 85 mm, coated black, or clear anodised (only for table top groups 1 and 2) or in plastic, 80 mm in diameter, in black (for table top groups 5, 1 and 2). When ordering the tables, boreholes can only be applied to the table tops and tables assembled in the factory.

Cable track profile

Aluminium extruded profile, clear anodised and screwed underneath the table top. Serves as a support for the cable track.

Cable track

Polypropylene cable track in black with sections for two different cables.

Vertical cable riser

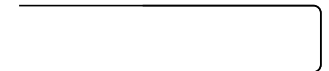
Polyamide links in black, plastic foot section in black with a steel core. Adapter for cable track profile in black plastic. Length 80 cm.

Standards

The Concentra tables comply with the DIN EN 527 and the ANSI / BIF-MA X 5.5 standards.



Edge profiles



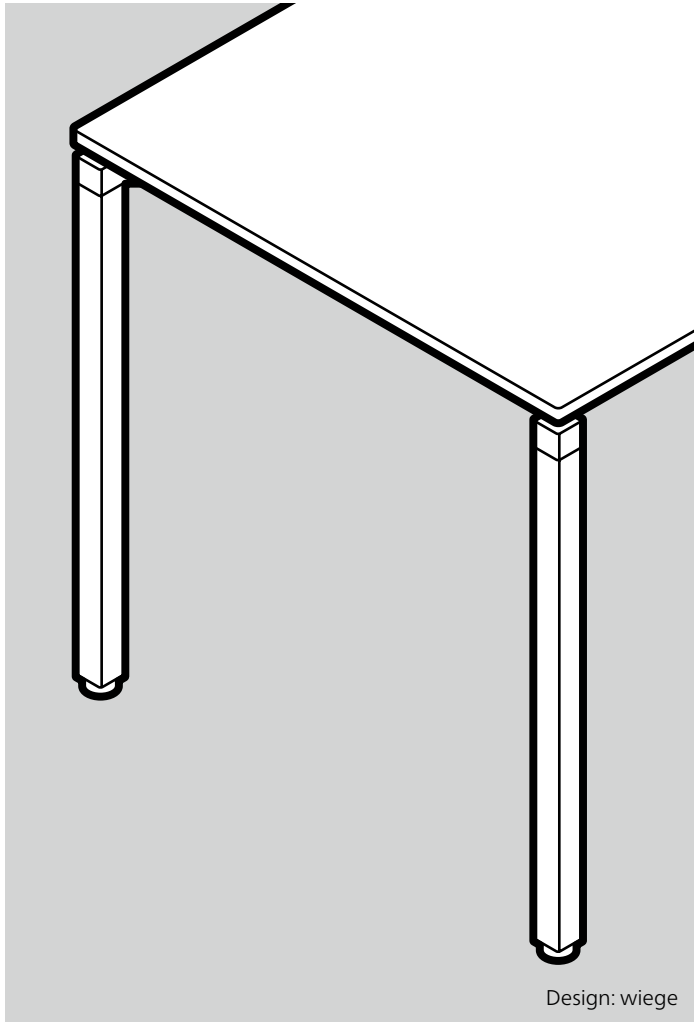
Straight plastic edging



Straight wood edging

Conversa. 600 range. Technical details.

Wilkhahn



Function

Tables that allow versatile furnishing of offices and communication spaces, as a combination or on their own for project work, training, seminars, lounges, bistros, canteens or recreational areas.

Frame

Legs made of square steel tubing (40 x 40 mm), bright chrome-plated or coated black, signal white or with a silver satin finish. Multipurpose, polyamide glides in black for soft and hard floorings. Die-cast zinc table-leg mounts to match the table legs, optionally bright chrome-plated or coated. Underframe attached with screws and with underframe profiles made of tubular steel (35 x 25 mm and black-coated corner angles made of die-cast zinc.

Core material of table top

E1 plywood.

Table top group 1 – laminate

Table top thickness 19 mm Laminate based on the Wilkhahn colour and surface samples with ABS plastic lipping.

Table top group 2 – veneer

Table top thickness 19 mm Variant 1: Beech, oak and ash veneer based on Wilkhahn woodstain colour samples with wood lipping, colour matched as far as possible with the veneer. Variant 2: Maple, walnut or elm veneer, as well as Wilkhahn Mocca veneer with wood lipping, colour matched as far as possible with the veneer. Closed-pore: maple and beech veneer. Some specific growth features possible.

Table top group 5 – direct coating:

Table top thickness 19 mm Melamine resin, with bonded surface in white or light grey with plastic lipping colour matched with the ABS surface.

Modesty panels

Aluminium frame, coated black and covered with black fabric.

Table-table-connectors (optional)

2 sheet steel circlips, coated black, 4 star-grip screws.

Accessories

Cable outlet

Aluminium cable outlet Diameter 85 mm, coated black, or clear anodised (only for table top groups 1 and 2) or in plastic, 80 mm in diameter, in black (for table top groups 5, 1 and 2). When ordering the tables, boreholes can only be applied to the table tops and tables assembled in the factory.

Cable track profile

Aluminium extruded profile, clear anodised and screwed underneath the table top. Serves as a support for the cable track.

Cable track

Polypropylene cable track in black with compartments for two different cables.

Vertical cable riser

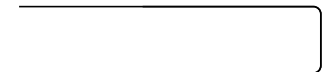
Polyamide links in black, plastic foot section in black with a steel core. Adapter for cable track profile in black plastic. Length 80 cm.

Standards

The Conversa tables comply with the DIN EN 527 and the ANSI / BIF-MA X 5.5 standards.



Edge profiles



Straight plastic edging



Straight wood edging

Concentra/Conversa. 544/600 range. Product types.

Wilkhahn



544
Concentra



600
Conversa

Concentra/Conversa. 544/600 range. Frame types.

Wilkhahn



Powder coated under frame in black, table legs and capitals optionally powder coated in black, white or silver, optionally bright chromium-plated as well.

Frame versions



Bright chrome-plated tubular steel, coated black, signal white or with a silver satin finish
The digital sample colours differ from the originals.

You can find our current fabric collection in our media center.

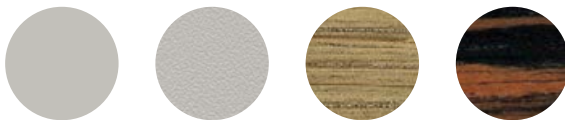
Concentra/Conversa. 544/600 range. Table top types.

Wilkhahn



Table tops made of 19 mm thick E-1 plywood boards, optionally directly coated, covered with laminate or veneered with real wood, or with 10 mm thick single-pane toughened glass, varnished on the bottom in opaque black or white.

Table top groups



Direct coating, laminate, veneer type 1 or 2, you can find further surfaces in our media center. The digital sample colours differ from the originals.

Shapes



Square: 75 x 75 cm, 80 x 80 cm, 90 x 90 cm, 160 x 160 cm.
Rectangular: Depth 75–100 cm, width 150–200 cm. Round: Ø 126 cm. Height: 73 cm

Concentra/Conversa. 544/600 range. Accessories and other items.

Wilkhahn

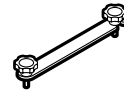


Added power supply – cable risers and cable tracks can be attached at any time underneath the plywood table tops. They can also be removed again if the table is needed for another purpose.

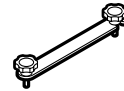


As a standard, threaded bores have been applied to the underframes, so that more accessories can be fitted, such as modesty panels, or fold-out table-table connectors.

544 Table-table connector (2 units)
Concentra



600 Table-table connector (2 units)
Conversa



707/1 Cable outlet
Black plastic, Ø 80 mm,
for table top groups 5, 1 and 2



707/2 Cable outlet
Aluminium coated black, Ø 85 mm,
only for table top groups 1 and 2



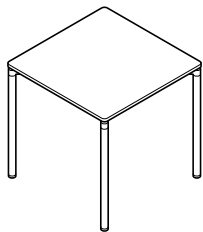
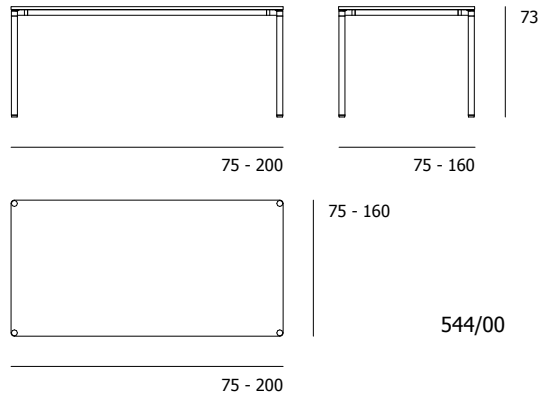
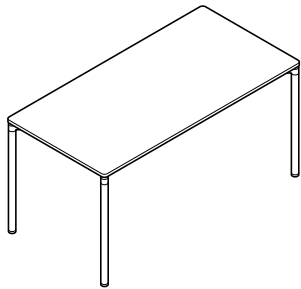
707/3 Cable outlet
Aluminium clear anodized, Ø 85 mm,
only for table top groups 1 and 2



Concentra. 544 range. Models and dimensions.

Wilkhahn

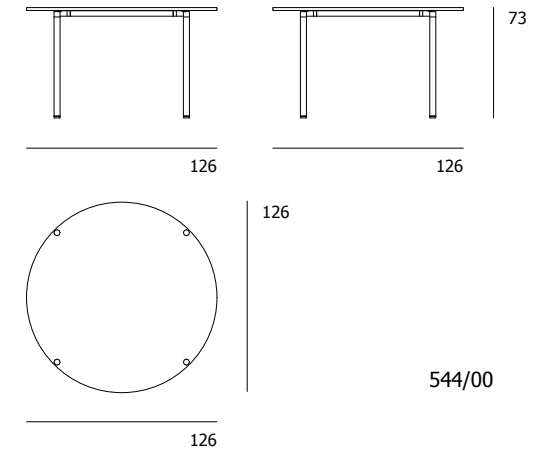
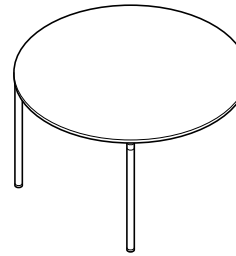
544 Concentra
Rectangular



	Depth				
Width	75	80	90	100	160
75	•	–	–	–	–
80	–	•	–	–	–
90	–	–	•	–	–
150	•	•	•	•	–
160	•	•	•	•	•
180	•	•	•	•	–
200	•	•	•	•	–

• Available
– Not available

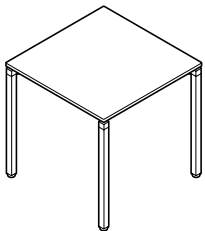
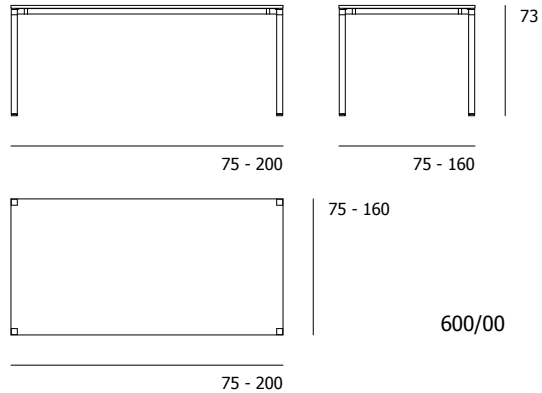
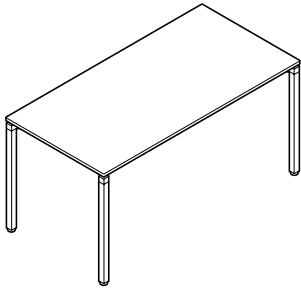
544 Concentra
Round



Conversa. 600 range. Models and dimensions.

Wilkhahn

600 Conversa
Rectangular



	Depth				
Width	75	80	90	100	160
75	•	–	–	–	–
80	–	•	–	–	–
90	–	–	•	–	–
150	•	•	•	•	–
160	•	•	•	•	•
180	•	•	•	•	–
200	•	•	•	•	–

- Available
- Not available

Concentra/Conversa. 544/600 range. Awards / standards / certificates.

Wilkhahn

Awards



Product certificates / product standards



DIN EN 527 ANSI/BIFMA X5.5

Company's certificates, memberships

