

Wilkhahn

Ceno. 361 range.





Ceno.

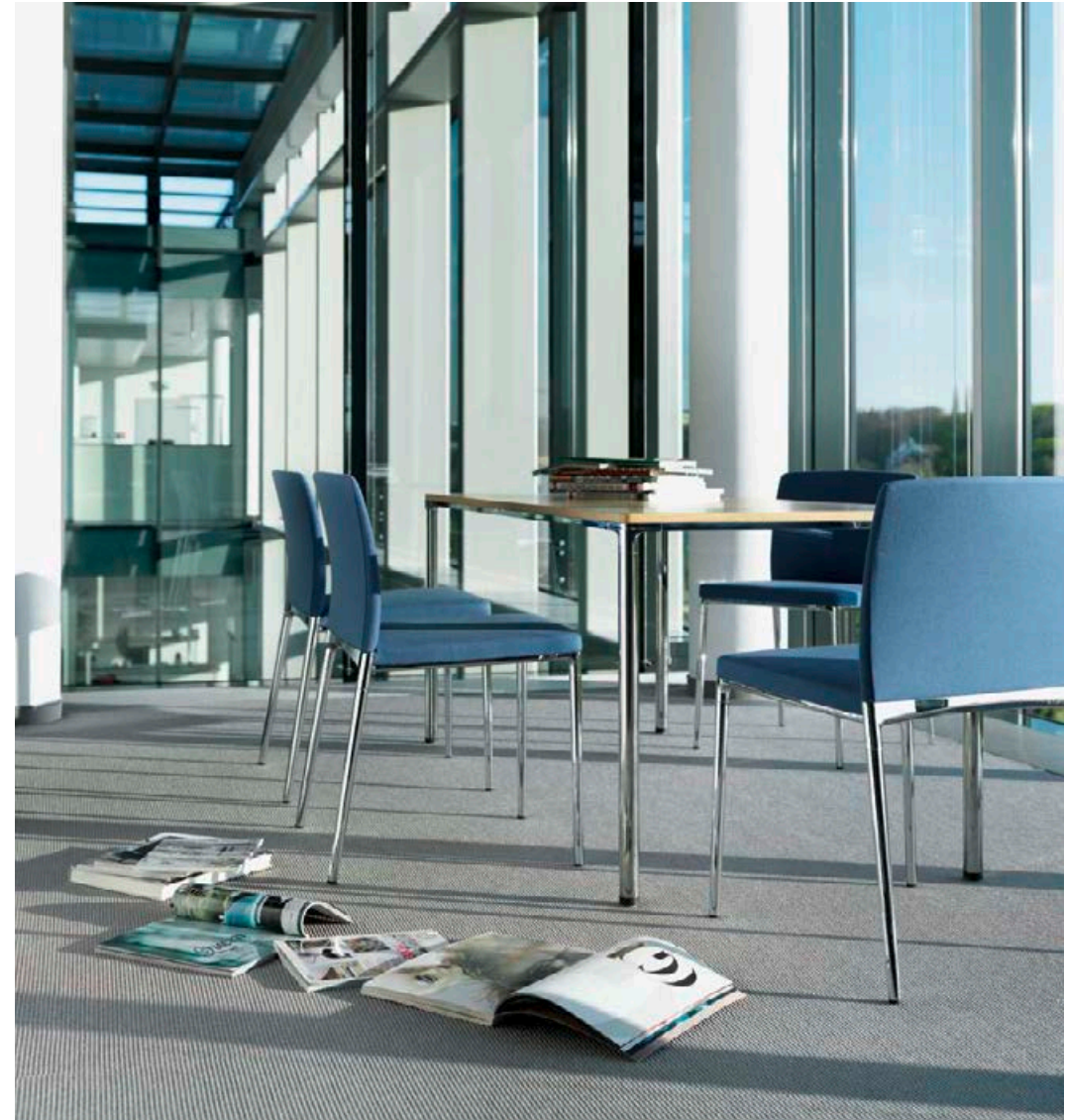
Functional. Appealing. Stackable.

If your meeting turns into a business lunch or vice versa, furnishing dressed to impress for both occasions is the order of the day. New business models, changing conditions, different structures – the fast pace of professional life makes discussion and decision-making increasingly important factors. In the past, a distinction was made between formal meetings and informal gatherings. But nowadays, both tend to happen in the same place. A meeting moves effortlessly on to supper, during which the next topics on the agenda are discussed. Meetings also more and more frequently take place in hotels whose premises are primarily used for catering. Backdrops change, but the furnishing solutions stay and have to be able to handle both situations.

With or without armrests – the upholstered, four-leg Ceno combines the business-like functionality of a stackable, ergonomic conference chair with the welcoming comfort of a dining room seat. Clever details, high-quality material, first-class workmanship, yet amazingly simple joints, are examples of superlative industrial design.

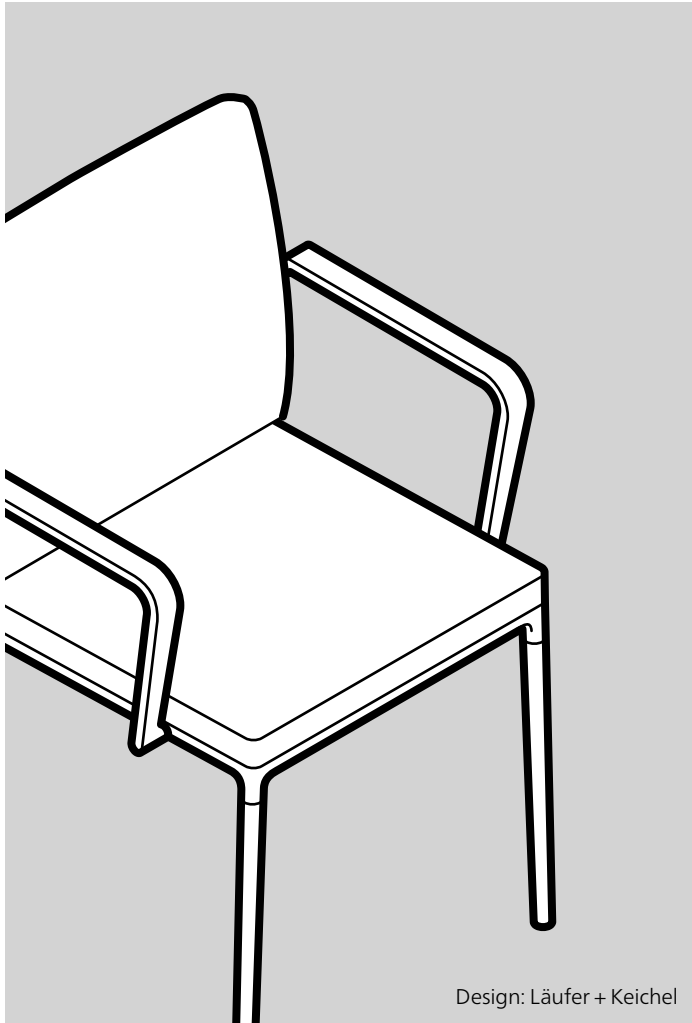


Stijn Poelstra



Ceno. 361 range. Technical details.

Wilkhahn



Design: Läufer + Keichel

Function

Four-leg, stackable conference chair for conference rooms, as well as high-quality restaurants and canteen spaces.

Frame

Solid aluminium frame, bright chrome-plated or coated with a silver satin finish or in black. Black plastic multipurpose glides for all types of flooring, optionally with additional felt glides.

Seat and backrest

Seat frame in die-cast aluminium, bright chrome-plated or coated in a silver satin finish or black. Elastic backrest shell in polypropylene, reinforced with two hexagonal rods connecting the seat and back. Backrest shell fully padded with polyurethane. Seat cushion made of polyurethane moulded foam; seat pan in black through-dyed plastic. Back- and seat-cushioning replaceable. Two-part, replaceable cover.

Armrests

Armrests in black polyamide.

Standards

Ceno conference chairs: DIN EN 16139-L1, DIN EN 1022 and ANSI/BIFMA X 5.1.



Accessories

Optional stainless steel inline connector. Optionally model 361, short inline connector for linking chairs without armrests and chairs with armrests alternately with chairs without armrests or model 362 long inline connector for linking chairs with armrests.

Ceno. 361 range. Product types.

Wilkhahn



361/5
Conference chair
Medium-height backrest
with seat and back cushioning



361/5
Conference chair
Medium-height backrest
Up to eight stackable



361/6
Conference chair
Medium-height backrest
with seat and back cushioning



362/5
Conference chair
High back
with seat and back cushioning

not pictured

362/6
Conference chair
High back
with seat and back cushioning

Ceno. 361 range. Frame types / upholstery types.

Wilkhahn

Frame surfaces



Aluminium bright chrome plated, coated black or in a silver satin finish

Armrests



Black plastic

Upholstery material



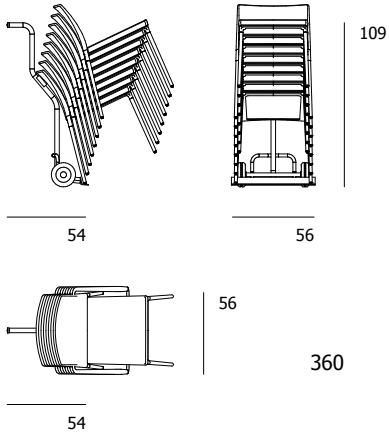
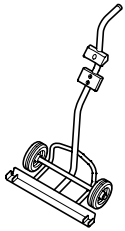
47 | 54 | 60 | 63 | 66 | 67 | 68 | 74 | 87 | 91 | 92 | You can find all upholstery material and more colours in our media center

The digital sample colours differ from the originals.
You can find our current fabric collection in our media center.

Ceno. 361 range. Accessories and other items.

Wilkhahn

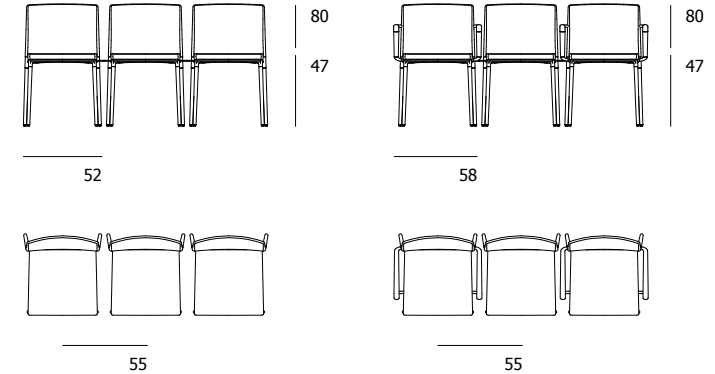
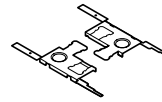
360 Two-wheeled cart



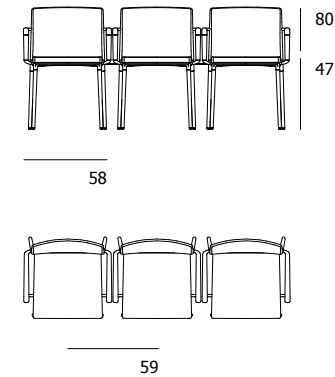
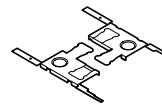
363 Seat numbers



361 Inline connector set short



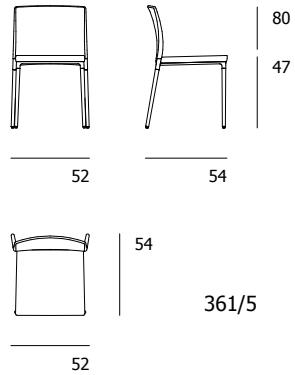
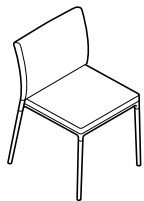
362 Inline connector set long



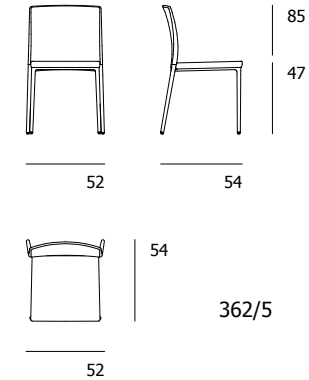
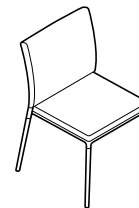
Ceno. 361 range. Models and dimensions.

Wilkhahn

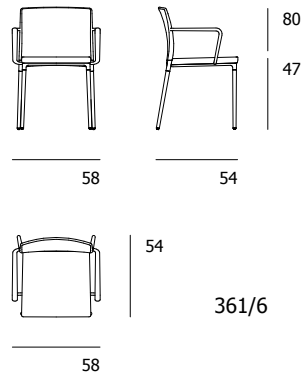
361/5
Conference chair



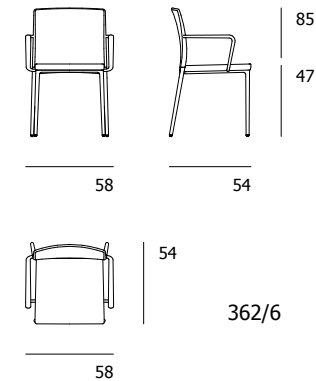
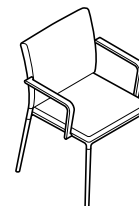
362/5
Conference chair



361/6
Conference chair



362/6
Conference chair



Ceno. 361 range. Awards / standards / certificates.

Wilkhahn

Awards



Product certificates / product standards



DIN EN 16139-L1 DIN EN 1022 ANSI/BIFMA X5.1

Company's certificates, memberships



Environment and product

Understated design, pure materials, exchangeable components

Minimising the thickness and variety of materials is not just aesthetically important, but environmentally relevant too. Developed consistently to comply with Wilkhahn's eco-friendly design concept, Ceno combines first-class quality and durability with the option to exchange the seat and backrest cushions. All components are connected mechanically and are therefore very easy to replace. The timeless form, top level of comfort, the quality of the materials and the exchangeable upholstery mean the chair will almost last forever.