

design made in germany

Wilkhahn

ON.[®]

The next generation of seating.





ON®

Design: wiege

Model 175/7

Bright chromium-

plated frame,

with Fiberflex cover

Know the title of the world's best office chair? Dream **ON**®!*

Wilkhahn® has spent decades developing office chairs that encourage our natural desire to keep our bodies moving and healthy. Chairs that score top marks for their ease of use and superb design.

ON is a new milestone worldwide in dynamic seating: a combination of a natural, three-dimensional scope of motion and relaxation at the same time. A chair to inspire, not tire. – And we are not talking about one single model, but a whole range that in terms of function and design really lives up to expectations.

* Even experts will conclude that things have moved so far forward that there is only one answer to the question 'What is the world's best chair?' Judging panels from São Paulo to Chicago, from Hanover to Melbourne, from London to Frankfurt have showered ON with prizes. One of the awards included "Best of NeoCon" 2010 and it was the only office chair to win the German Design Award 2011. But even more important is the verdict of people using it: once an ON, always an ON! Perhaps the world's best office chair really does exist?





78,000 hours sitting still? You deserve better.

Constantly sitting still during a working life has a variety of side-effects: headache, back pain, strain, fatigue ... Leading healthcare and sports experts have been demanding a proactive seating concept for a long time. A concept that offers all the scope of motion that bodies are capable of.

This is just what Trimension® does: as patented, synchro-supporting 3D kinematics, it also integrates the side and rotational movements of the seat and back which perfectly match the body's own. Two separately moveable swing plates are connected to the Flexframe®, a combination of extremely flexible seat shell and highly elastic, covered backrest frame. Because the swivel points exactly follow the way the body's joints work, the body is in equilibrium – no matter what posture or movement the body makes. The joints, the spine, the muscles and the entire metabolism are all activated without causing fatigue. As a result, not just health, but productivity benefits too.

Last but not least, ON® offers clarity, space and a relaxed appeal. It immediately conveys trust, value and comfort. A feeling of well-being is also a question of aesthetics.

Form follows function. ON® is intuitive to handle – two buttons let you rapidly adjust the integrated counterpressure and it's ready to use. For people weighing from 45 to 120 kg.





The patented seat depth adjustment is fascinatingly simple and intelligent. Just roll it up or away to make it longer or shorter.







The 3D armrests, integrated in the swing plates, follow the way the body moves. They are just as intuitive to adjust as the height of the backrest.

Model 174/7

Star base made of black through-dyed plastic, swing plates coated in silver, Fiberflex covers.







ON®

Comfortable interaction.

ON's healthy and comfortable seating concept is based on the innovative interaction of three components:

- innovative mechanics with separately flexible swing plates,
- the three-dimensional Flexframe® consisting of a flexible, understated and upholstered seat shell and an elastic back frame,
- as well as the Fiberflex backrest cover.

This three-dimensional, permanently elastic and breathable fabric has a micro-cushioning effect and adapts to any shape of back and posture – just like a second skin.

Even in its standard version, ON offers excellent comfort without any additional cushion because the materials used are flexible, elastic and breathable. In the standard version, Fiberflex is available on both the back and the seat.



Model 175/7
Bright chromium-plated
frame, with fabric cover

ON.[®]

Versatility included.

The modular structure of the ingeniously simple and high quality design enables three-dimensional, pro-active dynamic seating – for anybody, anywhere. Three types of upholstery, three backrest heights, three types of armrests and different frame finishes cover the whole spectrum of functions and designs one could wish for. In addition to the standard type with Fiberflex cover, Wilkhahn's fabric collection has a wide range of textiles and leathers to colour the seat and backrest covers.

A real bonus: an additional backrest cover can be sleeved over the basic Fiberflex-covered frame. Because the seat cushion and backrest are so simple to fit and dismantle, the covers can easily be removed or exchanged at a later date.



Model 175/7
Bright chromium-plated frame,
fabric cover





Model 175/71
Bright chromium plated
frame, with headrest
and management grade
leather upholstery

ON[®]

Unparalleled freedom of movement.

Health is a condition that should always be optimised. And businesses cannot afford compromises – whatever level in the hierarchy. As a result, each ON office chair includes unique Trimension[®] to foster three-dimensional activation of the entire back and metabolic system. The chair is also very spacious to allow different postures.

ON can also offer enhancement features with extra comfort that reflect levels of seniority in the company. ON's management grade upholstery has heightened side facings and finely stitched seams in the extra padded covers. Subtle and discreet is the suggestive way ON elevates pride of ownership. By selecting the back with headrest, fine quality leather upholstery and leather upholstered armrests, ON becomes an excellent executive chair.

Model 175/71

Bright chromium-plated frame,
leather management grade upholstery







Model 175/71
Bright chromium plated frame,
with headrest and management
grade leather upholstery

ON[®]

Goodbye to tiring conferences.

Long meetings can be quite a trial if your body is not properly stimulated. So it's good to know that ON is available as a conference armchair with Trimension[®] too. What a comforting thought and because it keeps you alert long, drawn-out meetings are easier to avoid.

In contrast to the office chairs, the armchair stands on a formal, carefully matched four-star aluminium base with glides. This fosters a tidy, uncluttered look. The fixed armrests also have the same effect. The armchairs are optionally available with a fixed seating height, or are height adjustable.







Model 178/71
Bright chromium plated,
leather management
grade upholstery

ON.[®]

Cantilever chair.

Model 178/7
Bright chromium
plated,
stackable, with
Fiberflex cover



ON was developed as a product family. As a result, coherent furnishing solutions with swivel work chairs and pull-up chairs for meetings perfectly complement one another. Seat shell and back frame allude to the swivel chairs and offer optimal comfort. The design of the frame is also typical of ON's clarity of form. A standard feature of all Fiberflex and fabric covered types is that they are stackable. The management grade upholstery is also an option for more discerning customers.





Model 178/7
Bright chromium plated,
stackable, with fabric cover



ON.[®]
Visitor chair.

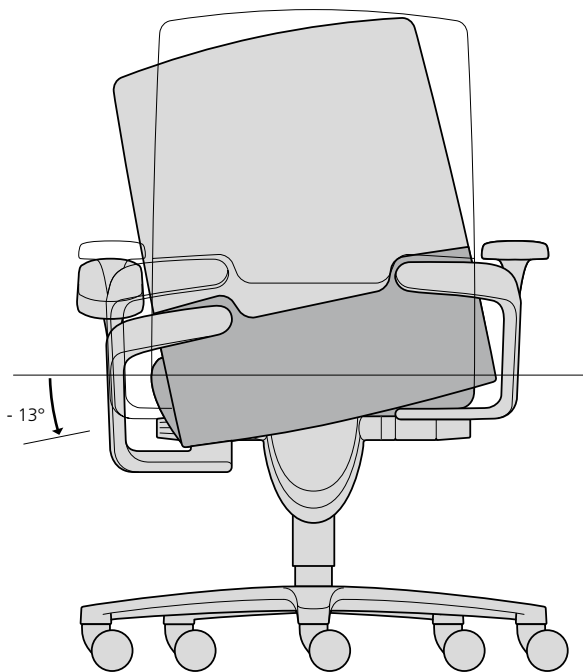
Model 176/7
bright chromium
plated,
stackable, with
Fiberflex cover

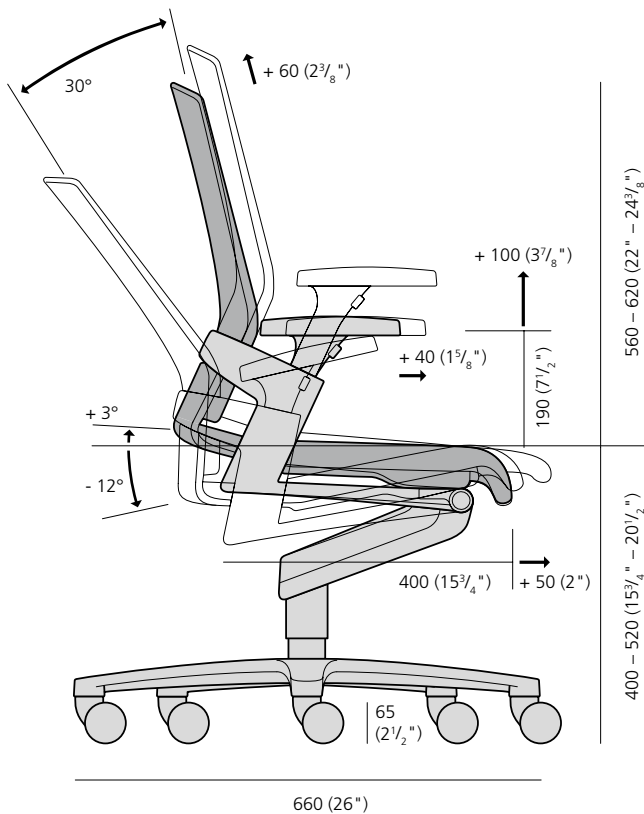


The fixed-leg chair has the same seat-back construction as the cantilever. The similar outer pull is also a characteristic of the ON product family. Fiberflex or fabric upholstered, stackable types and management grade upholstery are also available.

ON.[®]

Functions at a glance.





All dimensions in mm (inches).

ON[®]

Range.

The ON product family offers three backrest heights, three types of armrests and three types of upholstery. In terms of function and design, ON covers all requirements.

Backrest heights (each adjustable by 60 mm): medium-height backrest, or high backrest, or high backrest with headrest.

Armrest pads (all three-dimensionally adjustable): standard armrest, or soft foam armrest, or upholstered armrest with leather cover.

Types of upholstery: seat and backrest covered in Fiberflex, or seat fabric cover with additional fabric cover on the backrest, or management grade upholstery with side facings and covers in fabric or leather.

Frame types for office and conference swivel chairs: the star base is available in black through-dyed plastic (only with five-star base), or die-cast aluminium optionally coated, or with a natural polished finish or bright chromium plated. To match are the die-cast aluminium coated swivel plates, natural polished finish or bright chromium plated.

Visitor chair frame types: Fiberflex and fabric upholstered types are all stackable and bright chromium plated, not stackable with management grade upholstery, but with optional coated finish.

Create your own ON family

– we're happy to help. And what's more:

**test ON – the new generation of office chairs
for a healthier and better office environment.**

For pictures and detailed technical information visit:
www.wilkhahn.com/on

ON.[®]

Sustainability inclusive.

Like all Wilkhahn[®] products, ON is designed with durability and superior quality in mind. The innovative new seating concept with excellent materials and high quality workmanship represents nothing less than tomorrow's standard. The chair has a service-friendly design and modular structure, making parts easy to retrofit. Parts subject to wear and tear, covers and upholstery are easy to remove and exchange. The manufacturing process uses some recycled materials and 96.5% of ON is recyclable at the end of the chair's useful life. In addition to the definitive international office chair standards, Greenguard has also certified ON as suitable for interiors.

Logistical and manufacturing processes are environmentally friendly. The knock-down principle of assembling the back reduces the transport volume by 45%. Wilkhahn was awarded the German Environment Prize and is ISO 14001 and EMAS certified. The production department at the main plant in Bad Münde, Germany has cut CO₂ emissions by 78%. This achievement was made possible by an extremely modern block heat and power station, operated by renewable energy sources. Wilkhahn is also the first office furniture manufacturer that will request suppliers and partners to comply with environmental and social responsibility standards.

For more eco-product information and certificates visit:
www.wilkhahn.com/on









171/7



174/7



175/7



171/7



174/7



175/7



171/71



174/71



175/71



175/7



176/7



178/7



175/7



176/7



178/7



175/71



176/71



178/71

www.wilkhahn.com

Wilkhahn

Wilkening + Hahne GmbH+Co. KG
Fritz-Hahne-Straße 8
31848 Bad Münde
Germany
Tel. +49 (0) 5042 999-0
Fax +49 (0) 5042 999-226
info@wilkhahn.de
www.wilkhahn.de

North America
New York, Chicago
info@wilkhahn.com

Australia
Sydney, Brisbane, Melbourne
info@wilkhahn.com.au

Belgium, Antwerpen
info@wilkhahn.be

China, Shanghai
info@wilkhahn.com.cn

España, Madrid
info@wilkhahn.es

France, Paris
info@wilkhahn.fr

Great Britain, London
info@wilkhahn.co.uk

Hong Kong
info@wilkhahn.com.hk

Japan, Tokyo
info@wilkhahn.co.jp

Malaysia, Kuala Lumpur
info@wilkhahn.com.au

Nederland, Rotterdam
info@wilkhahn.nl

New Zealand, Auckland
info@wilkhahn.co.nz

Österreich, Wien
info@wilkhahn.at

Schweiz, Bern
info@wilkhahn.ch

Singapore
info@wilkhahn.com.sg

South Africa, Johannesburg
info@bossofficefurniture.co.za

United Arab Emirates, Dubai
info@wilkhahn-me.com

